

# UPS1000

## BATTERY BACK-UP



### PROTECTION:

The unit is protected against overload and short circuit. Built in protection against deep discharge of the batteries. Mains, load and battery is protected by fuses. Indications and alarm: Main power is indicated by a green LED on the front. Mains fault alarm by dry contact.

### EXTRA EQUIPMENT

#### Alarm board:

All models can easily be equipped with alarm board SM102

#### SPM90x series - Universal accessories

Fits at least one card on all models

#### Tampering:

Tampering contact is installed in provided holes.

### Description

UPS1000 Power Supply unit are characterized by small dimensions and easy installation.

It is a Switching Mode Power Supply (SMPS) with high-efficiency and long service life.

Can be paralleled to obtain higher output power or compensate for voltage drops in the cables.

Suitable for operation of all types of low-power installations, emergency, fire and access control systems, where one wants an environmentally friendly system.

#### Design:

The unit is in a white, self-ventilating, metal case and is designed for wall mounting.

There are 4 cable bushings upward and one bushing from the back. Place is for a maximum of 2 pieces 12V 1,2Ah maintenance-free lead-acid batteries.

### TECHNICAL DATA

MAIN POWER	230VAC +/- 15%
	1 Phase 50-60Hz
Reg. accuracy	max 0,6 %
Ripple voltage	0,1 % of
	Output power
Temp.Range	-15 - 40 C
Dimensions	H200xW110xD60
Output power	1A
Battery size	2x1,3Ah

### INSTALLATION

- Mount the unit. At least 100mm space on each side.
- Connect 230V AC.
- The main power LED will indicate. Check if the output voltage is correct.
- If necessary, adjust the output with V1 on the circuit board.
- If the main power LED did not indicate check the main fuses.
- Connect the batteries and then the load.
- If the output fuses blows check the connection and connected equipment.

### SAFETY NOTES

Only authorized and experienced personal with in AC and DC may use, work with, perform maintenance and install this unit.

Only isolated tools may be used in this unit.

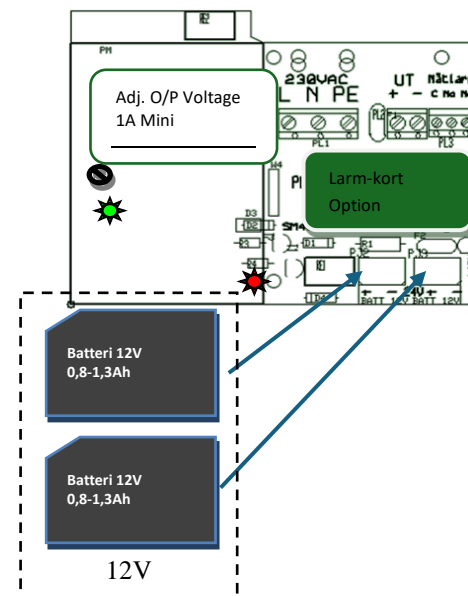
Observe! High voltage and currents appear in the unit whether the internal fuses are on or not. All personal which will come in contact with

this unit must thoroughly read and understand these instructions. In any sign of doubt in understanding the systems construct, function, components or safety, if so please contact the supplier.

Make sure the circuit board is firmly attached and is not damaged by the transport.

If batteries are being used note, they are always electrochemist active.

Do not short-circuit the battery poles.



CE marked in accordance to  
EN61000-6-3:2001 EN61000-6-2:2005

Postal address  
**SAMON AB** Modemgatan 10  
SE-235 39 Vellinge, Sweden

Telephone no  
+46 (0) 40 15 58 59

Web  
www.samon.com  
e-mail  
order@samon.com